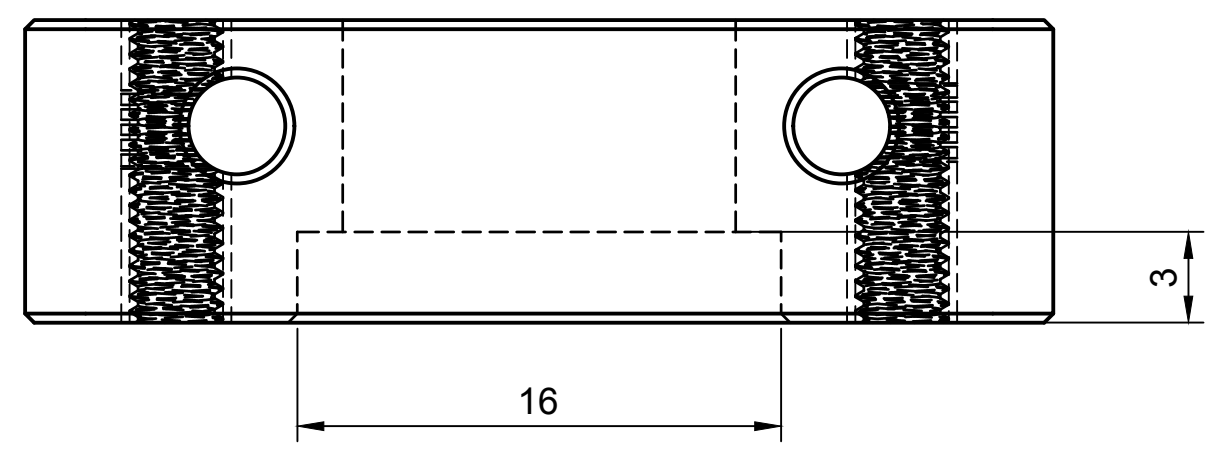


Rückseite



Dept. GF	Technical reference	Created by Dominik Simon 18.08.20	Approved by
Protoworx UG Schrimpegasse 11 60529 Frankfurt Germany www.protoworx.de		Document type technical drawing	Document status published
		Title 000708 Tevo_Mount	DWG No. 000708
		Rev. 1	Date of issue
		Sheet 1/1	