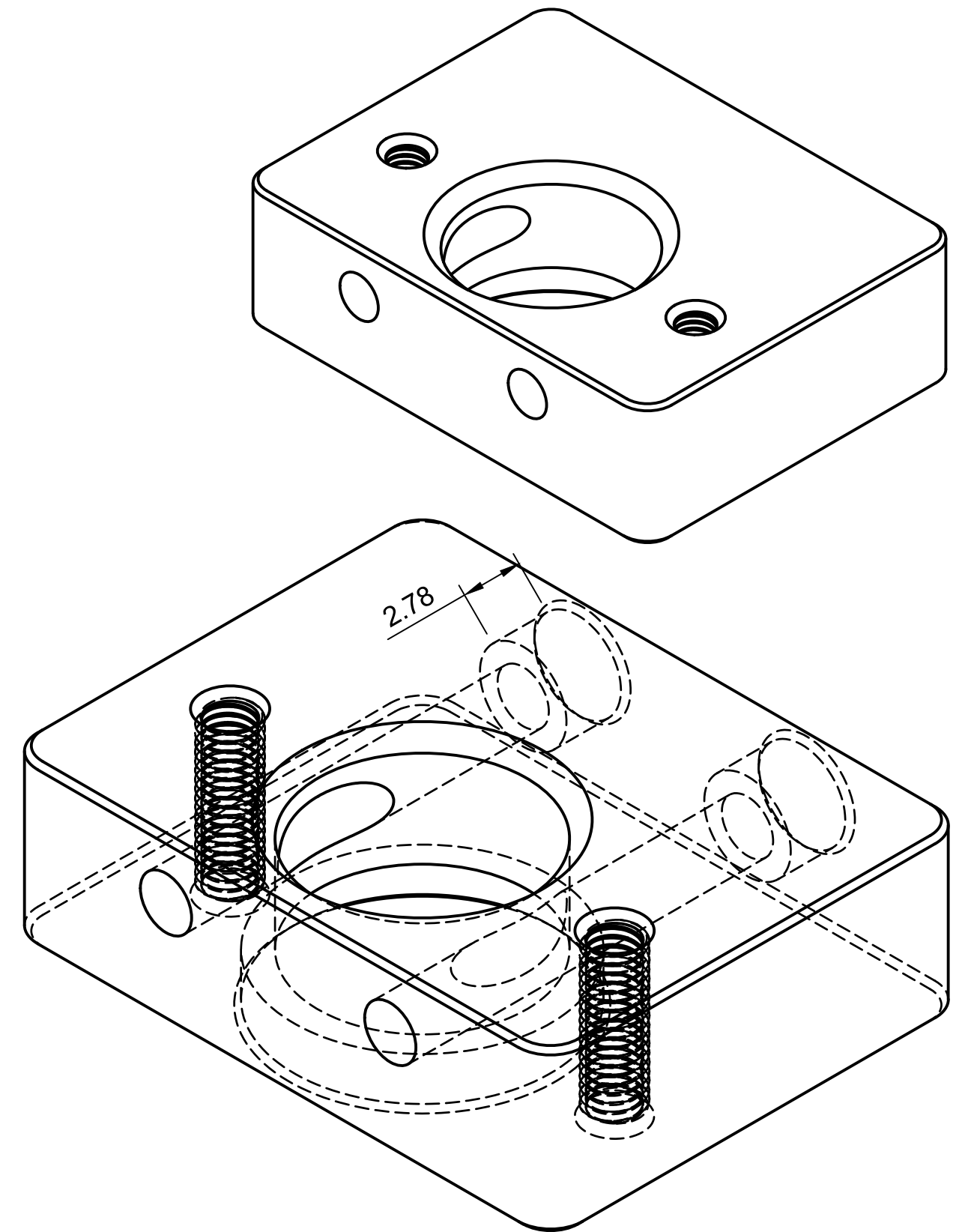
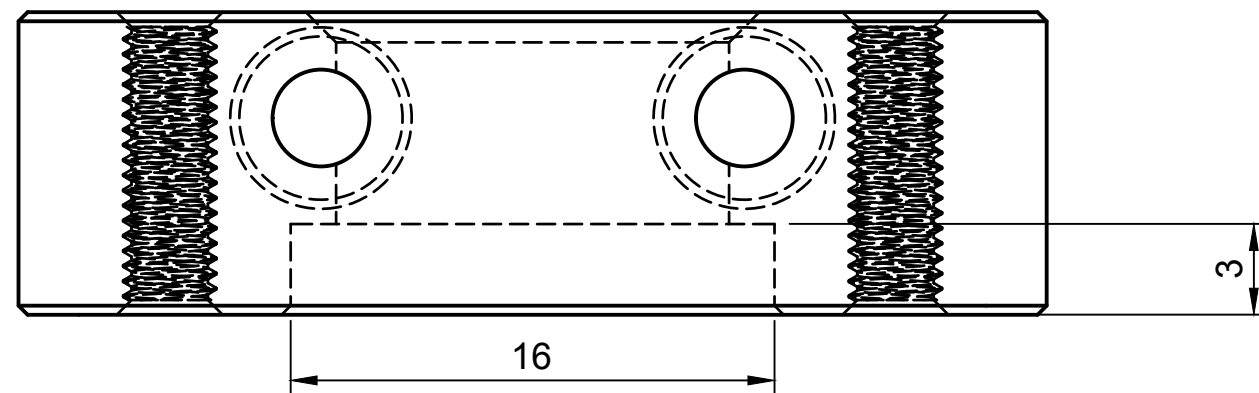
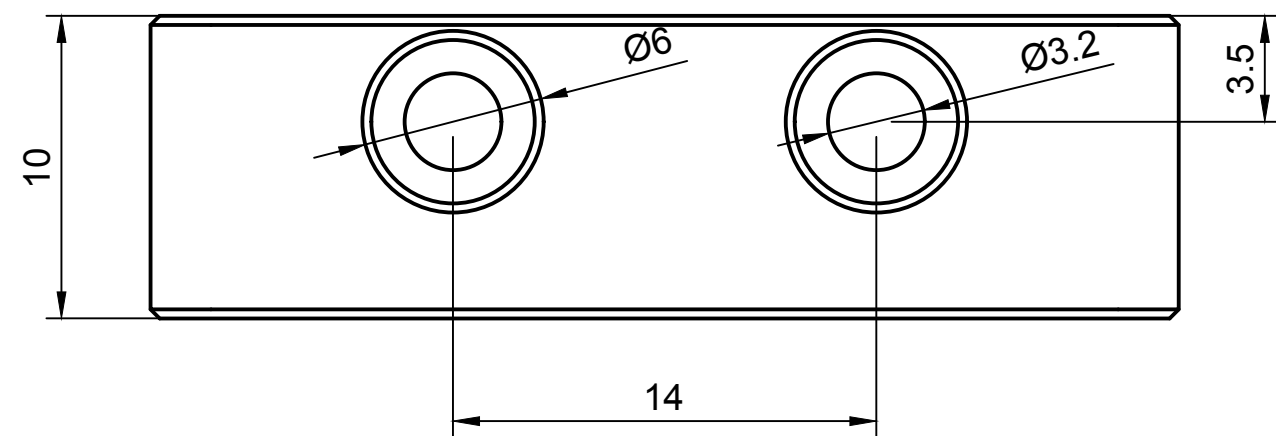


### Rückseite



CR10 Merlin Mount by Protoworx is licensed under the Creative Commons Attribution-NonCommercial 4.0 International (CC BY-NC 4.0) license.

Dept. GF	Technical reference	Created by Dominik Simon 18.08.20	Approved by
Protoworx UG Schrimpegasse 11 60529 Frankfurt Germany www.protoworx.de		Document type technical drawing	Document status published
		Title 000593 CR-10_Mount	DWG No. 000593
		Rev. 1	Date of issue Sheet 1/1